

FEATURES

- Rise/Fall Time..... 3.0ns
- Swing 65V_{P-P}
- Supply Voltage..... 90V

APPLICATIONS

- CRT driver for up to 95kHz monitors with resolution up to 1280 x 1024.

DESCRIPTION

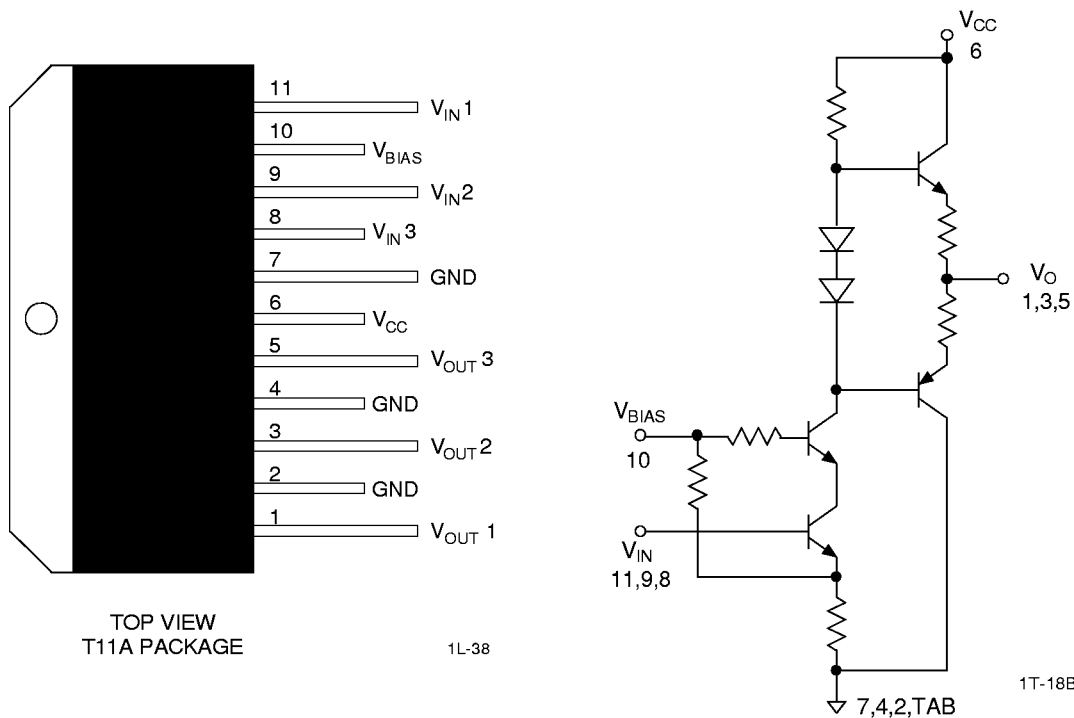
The CVA2408T contains three high impedance, wideband amplifiers, designed specifically to drive a CRT. The device can drive monitors with resolutions up to 1280 x 1024 (non-interlaced) with pixel frequencies of 260MHz.

The product is housed in the industry standard 11 lead TO-220 molded power package.

ORDERING INFORMATION

Part	Package	Temperature
CVA2408T	T11A	-20°C to +100°C

CONNECTION DIAGRAM



ABSOLUTE MAXIMUM RATINGS

Supply Voltage	95V	Operating Temperature	-20°C to +100°C
Power Dissipation	16W	Lead Temperature	+300°C
Storage Temperature	-25°C to +125°C		

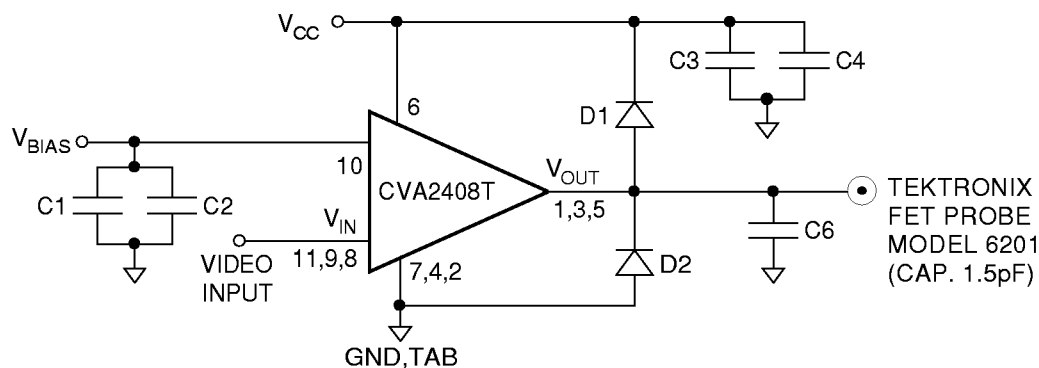
DC ELECTRICAL CHARACTERISTICS $V_s = 80V$, $DC_{INPUT\ BIAS} = 12V$, $V_{IN} = 2.4V$, $T_{CASE} = +25^\circ C$.
See Figure 1.

SYMBOL	CHARACTERISTICS	MIN	TYP	MAX	UNITS
I_{CC}	Supply Current @ 1MHz		28		mA
$V_{OUT\ DC}$	Output DC Level	45	50	55	V
A_v	Voltage Gain	13	15	17	V
	Gain Matching		0.2		dB

AC ELECTRICAL CHARACTERISTICS $V_s = 80V$, $C_L = 8pF$, $DC_{INPUT\ BIAS} = 12V$, $V_{IN} = 2.4V$, $V_{OUT} = 50V_{p-p}$. $T_{CASE} = +25^\circ C$.
See Figure 1.

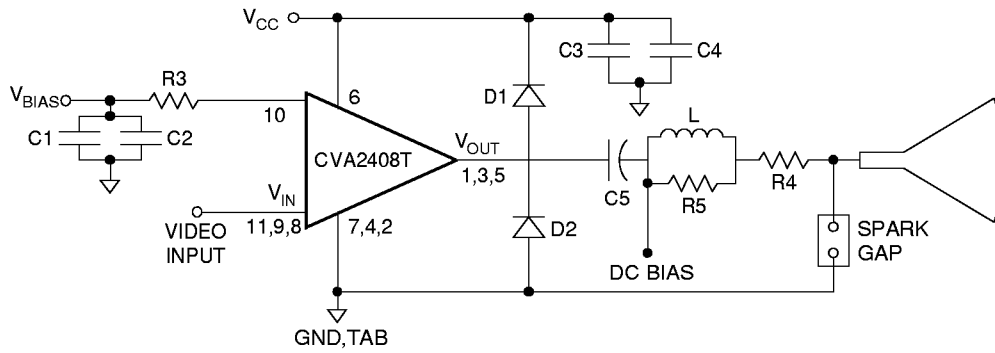
SYMBOL	CHARACTERISTICS	MIN	TYP	MAX	UNITS
T_r	Rise Time		3		ns
T_f	Fall Time		3		ns
L_e	Linearity		5		%
OS	Overshoot		5		%

FIGURE 1. TEST CIRCUIT



- C1 = 0.01 μ F
- C2 = 100 μ F
- C3 = 0.1 μ F
- C4 = 100 μ F
- C6 = 8pF
- D1, D2 = FHD400

FIGURE 2. APPLICATION CIRCUIT



- | | | |
|------------------------|-------------------|-----------------|
| R3 = 47 Ω | C1 = 0.01 μ F | D1, D2 = FHD400 |
| R4 = 47(1/2W) Ω | C2 = 100 μ F | L = 330 - 390nH |
| R7 = 33 Ω | C3 = 0.1 μ F | |
| R8 = 39 Ω | C4 = 100 μ F | |
| R10 = 680 Ω | C5 = 2.2 μ F | |

1T-24